

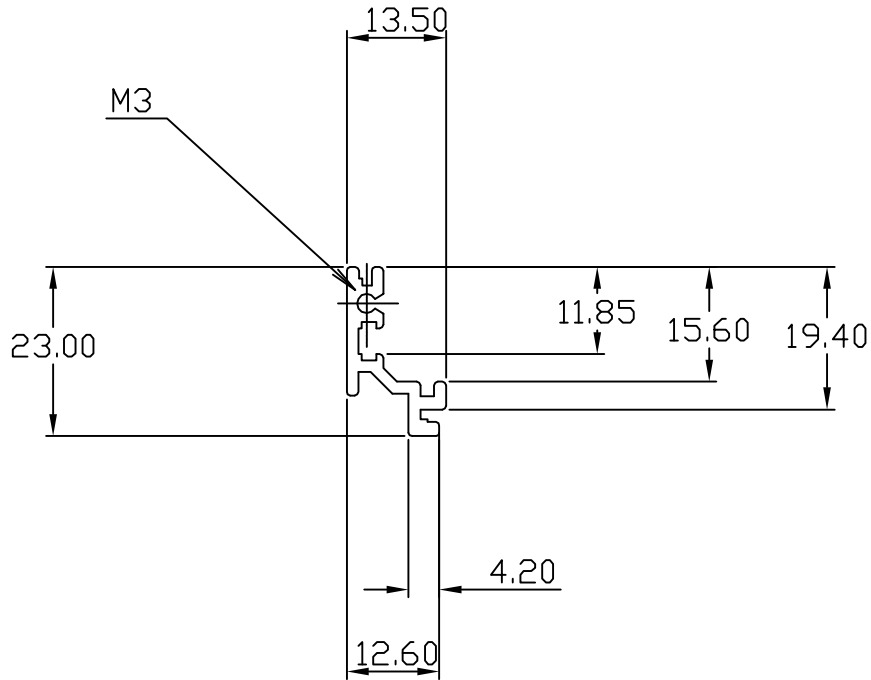
THIS DOCUMENT IS THE PROPERTY OF SUBRACK SYSTEM PRODUCTS LTD AND MUST NOT BE DISCLOSED/COPIED TO A THIRD PARTY WITHOUT CONSENT.

A

B

IF IN DOUBT-ASK

EXTRUSION No. 55173X



DIMENSIONS IN MILLIMETERS
GEOMETRIC SYMBOLS TO B.S.308

A > 24-11-97					
MATERIAL AL AL BS1474		FINISH			
6063 TF					
DRAWN MB	CHK,D	TITLE			
		MODULE RAIL PROFILE			

REFERENCES	DDISK
------------	-------

SRS PRODUCTS LTD	SCALE 1 - 1	SHEET 1 - 1	CODE 55173X	A4
------------------	-------------	-------------	-------------	----

4
3
2
1