

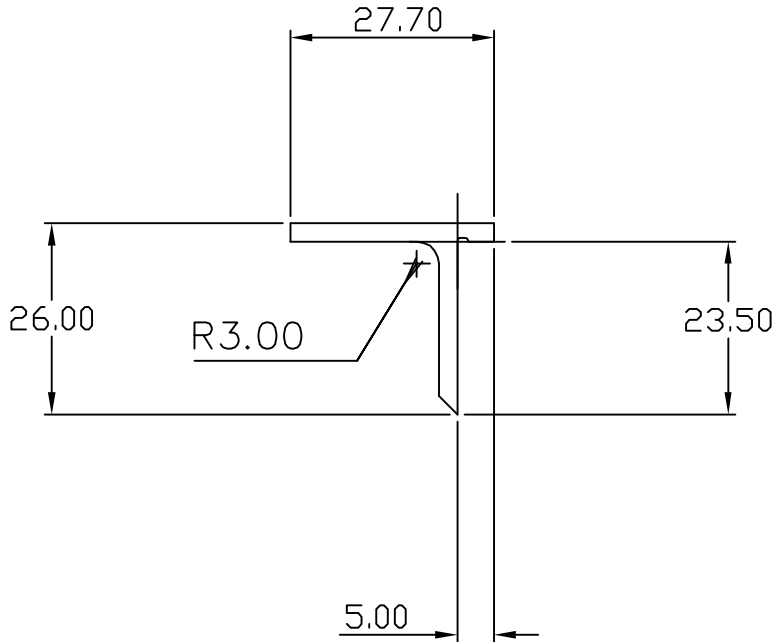
THIS DOCUMENT IS THE PROPERTY OF SUBRACK SYSTEM PRODUCTS LTD AND MUST NOT BE DISCLOSED/COPIED TO A THIRD PARTY WITHOUT CONSENT.

A

B

IF IN DOUBT-ASK

EXTRUSION No. 55211C



DIMENSIONS IN MILLIMETERS
GEOMETRIC SYMBOLS TO B.S.308

A) 24-11-97					
MATERIAL AL AL BS1474		FINISH			
6063 TF					
DRAWN MB	CHK.D	TITLE T FRONT PROFILE			

REFERENCES	DDISK
------------	-------

SRS PRODUCTS LTD	SCALE 1 - 1	SHEET 1 - 1	CODE 55211C	A4
------------------	-------------	-------------	-------------	----

4
3
2
1