

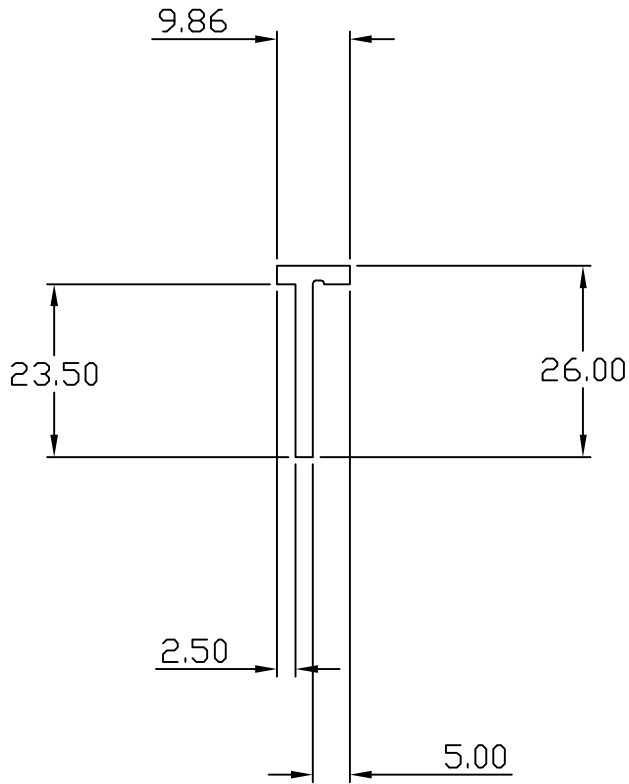
THIS DOCUMENT IS THE PROPERTY OF SUBRACK SYSTEM PRODUCTS LTD AND MUST NOT BE DISCLOSED/COPIED TO A THIRD PARTY WITHOUT CONSENT.

A

B

IF IN DOUBT-ASK

EXTRUSION No. 55222C



DIMENSIONS IN MILLIMETERS  
GEOMETRIC SYMBOLS TO B.S.308

A ) 24-11-97					
MATERIAL	AL.AL BS1474	FINISH			
	6063 TF				
DRAWN	CHK,D	TITLE			
MB		CLOSING ANGLE PROFILE			

REFERENCES  
DDISK

SRS PRODUCTS LTD	SCALE	1 - 1	SHEET	1 - 1	CODE	55222C	A4
------------------	-------	-------	-------	-------	------	--------	----

4  
3  
2  
1