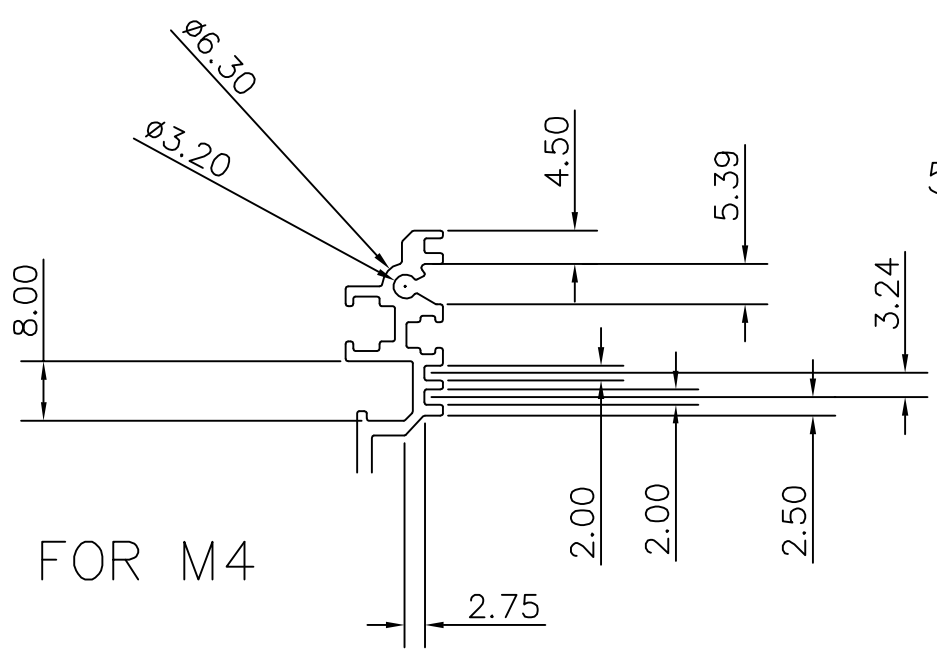
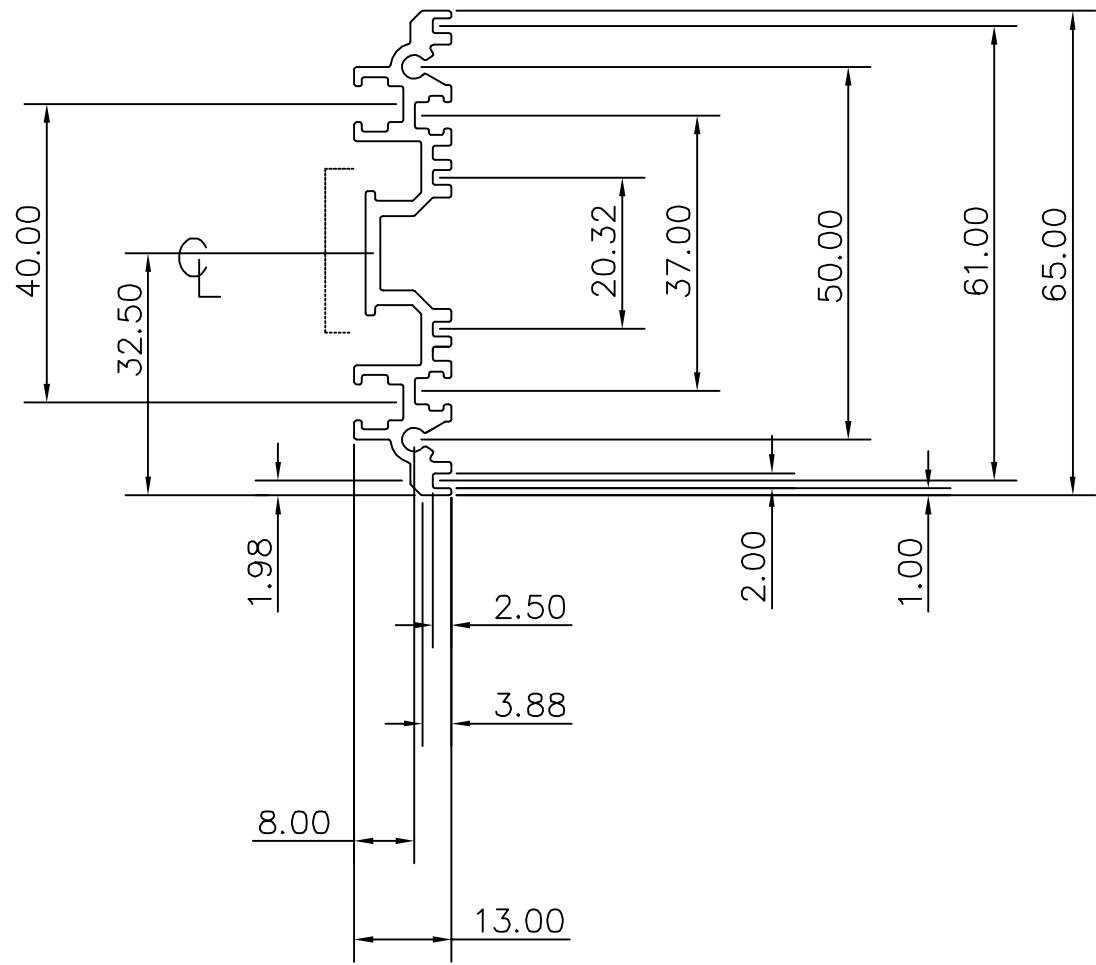
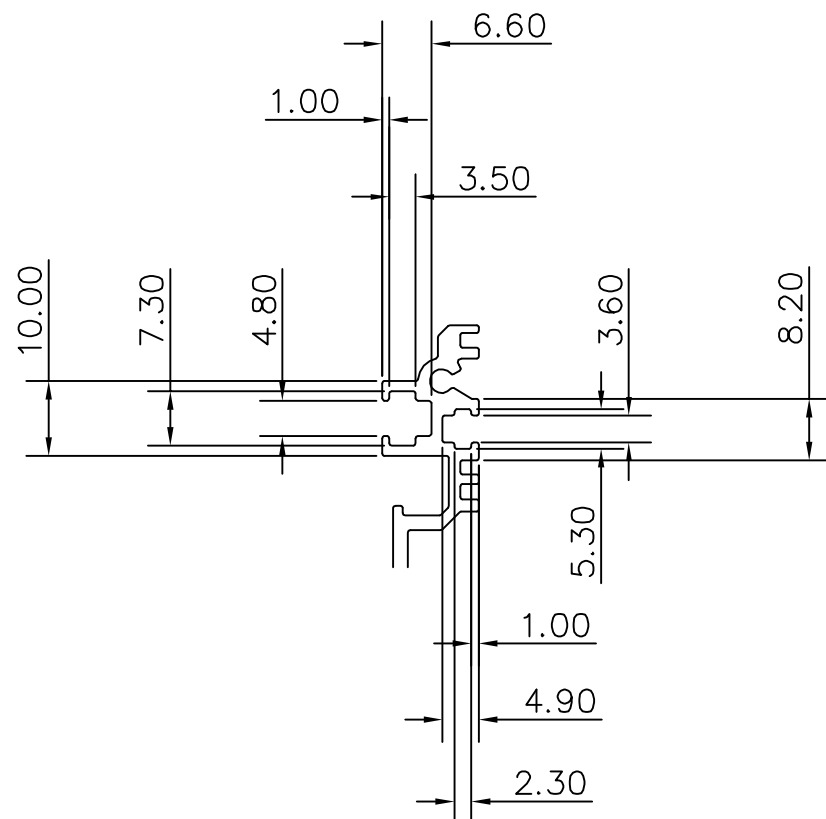
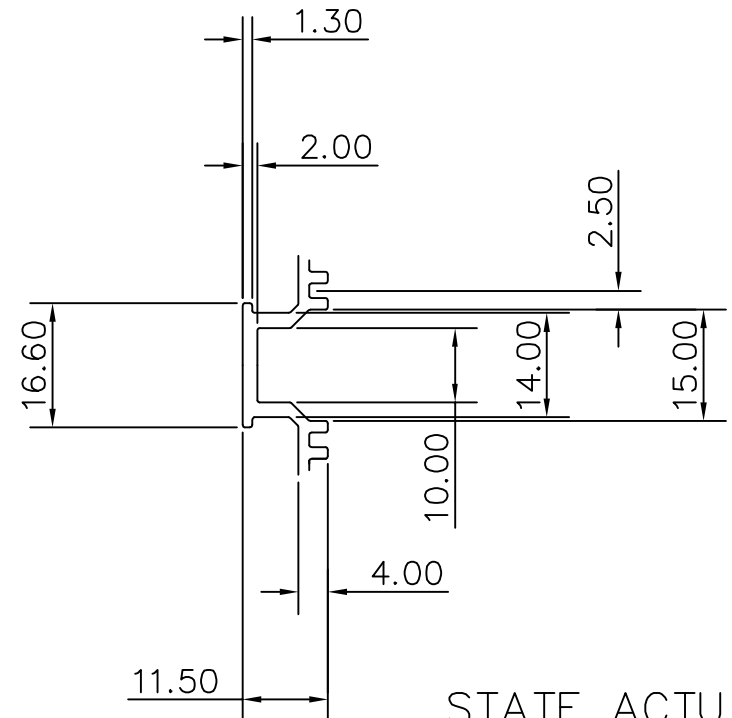


THIS DOCUMENT IS THE PROPERTY OF SUBRACK SYSTEM PRODUCTS LTD AND MUST NOT BE DISCLOSED/COPIED TO A THIRD PARTY WITHOUT CONSENT.

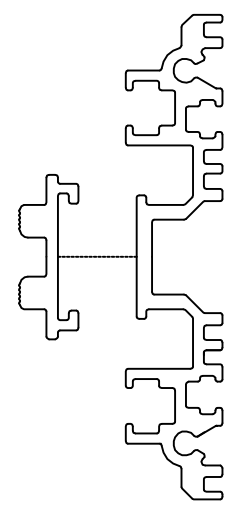
IF IN DOUBT-ASK



FOR M4



TRIM
55227F



TRIM EXTRUSION TO SLIDE OVER SIDE EXTRUSION

SECTION IS SYMMETRICAL
ALL RADS 0.3 MAX
SURFACES SHOWN THUS
----- ARE TO BE
FREE OF ABRASIONS
STRAIGHTNESS 1.5/1000

STATE ACTUAL TOLERANCE NOT ACHIEVEABLE

A 20-6-96				REFERENCES	
				EURORACK	
MATERIAL AL. ALLOY				FINISH	
BS1474 HE9 TF				SEE NOTES	
DRAWN	CHK,D	TITLE			
REB		SIDE EXTRUSION			
SRS PRODUCTS LTD			SCALE	SHEET	CODE
					55226G A3

TOLERANCES UNLESS STATED
0 + - 1
0.0 + - 0.5
0.00 + - 0.20
0.000 + - 0.100
ANGLE + - 1.5 DEG.
DIMENSIONS IN MILLIMETERS
GEOMETRIC SYMBOLS TO B.S.308