

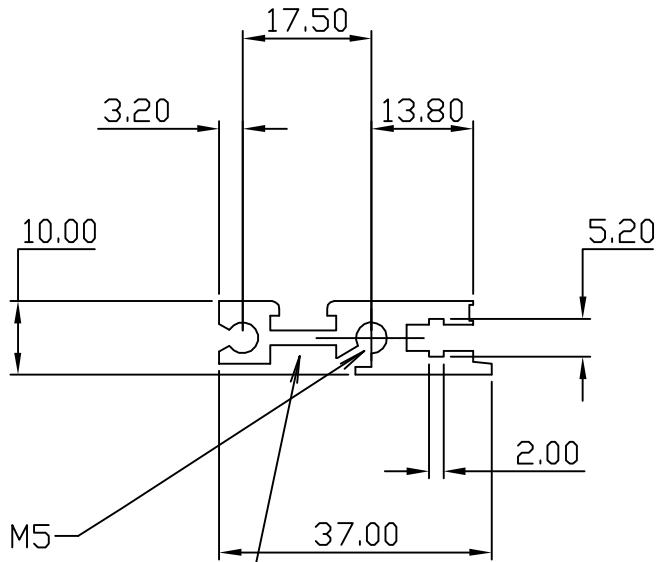
THIS DOCUMENT IS THE PROPERTY OF SUBRACK SYSTEM PRODUCTS LTD AND MUST NOT BE DISCLOSED/COPIED TO A THIRD PARTY WITHOUT CONSENT.

A

B

IF IN DOUBT-ASK

EXTRUSION No. 66990X



3.10 DIA. HOLES ON 5.08mm PITCHES, CAN BE PUNCHED IN THIS AREA

DIMENSIONS IN MILLIMETERS  
GEOMETRIC SYMBOLS TO B.S.308

A > 24-11-97					REFERENCES					
					DDISK					
MATERIAL AL AL BS1474 FINISH										
6063 TF										
DRAWN	CHK,D	TITLE								
MB		FRONT RAIL EXTRUSION								
SRS PRODUCTS LTD				SCALE	1 - 1	SHEET	1 - 1	CODE	66990X	A4

4  
3  
2  
1