

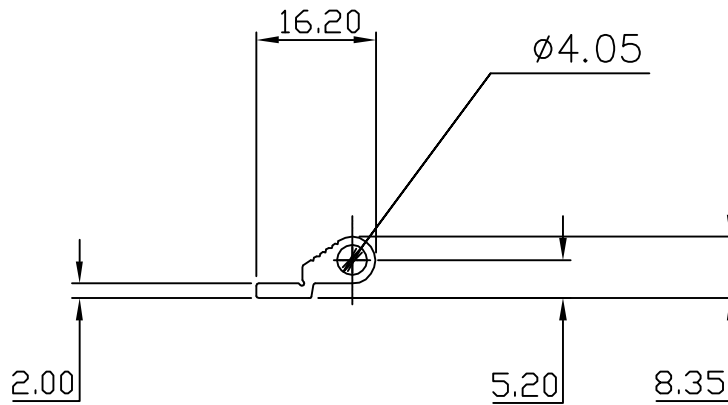
THIS DOCUMENT IS THE PROPERTY OF SUBRACK SYSTEM PRODUCTS LTD AND MUST NOT BE DISCLOSED/COPIED TO A THIRD PARTY WITHOUT CONSENT.

A

B

IF IN DOUBT-ASK

EXTRUSION No. 67831C



DIMENSIONS IN MILLIMETERS
GEOMETRIC SYMBOLS TO B.S.308

A) 24-11-97					
MATERIAL		AL.AL BS1474	FINISH		
		6063 TF			
DRAWN	CHK.D	TITLE			
MB		HINGE RAIL			

REFERENCES	DDISK
------------	-------

SRS PRODUCTS LTD	SCALE 1 - 1	SHEET 1 - 1	CODE 67831C	A4
------------------	-------------	-------------	-------------	----

4
3
2
1