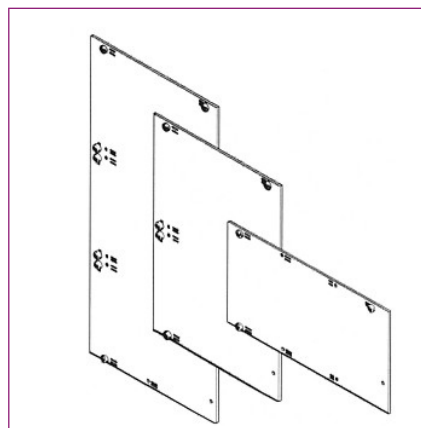


## SIDEPLATES, VERSIRAK SERIES

Mat: 2,5mm aluminium alloy with conductive Alocrom 1000 finish. Sideplates have M5 rail fixing holes on a 30mm pitch with semi-shears along the depth, countersunk M4 fixing holes are provided for mounting and closing angles front and rear and at the rear there are additional fixing holes for mounting of the rear cover. The sideplates accept Euro and Versirak mounting angles fitted at either the front or rear of the subrack.

### ORDER CODES

HEIGHT	160	220	280	340	400
3U	69316G	69317F	69318D	69319B	65637A
4U	69320M	69321E	69322C	69323A	65638R
6U	69324X	69325H	69326R	69327G	65639G
9U	69328F	69329D	69330B	69331M	65640F
12U	69332E	69333C	69334A	69335X	65641D

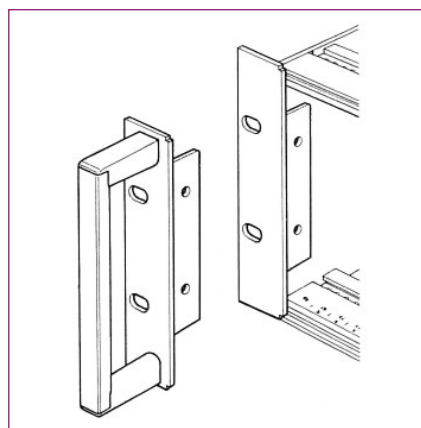


## MOUNTING ANGLES, VERSIRAK SERIES

Manufactured from aluminium alloy, satin anodised to BS1615-AA10. Fitted with flush mounting M4 bushes which allow angles to be fitted independently from the horizontal rails which enables recess mounting. When fitted as a pair they reduce the opening to 84HP and provide standard 19 inch rack mounting centres. Available with and without handle fixing holes. Compatible with Versirak only.

### ORDER CODES

HEIGHT	W/O HANDLE FIXING	WITH HANDLE FIXING	HANDLE KIT
3U	69337R	67368X	96135D
4U	69338G	69369H	-----
6U	69339F	69370R	96136B
9U	69340D	69371G	97705M
12U	69341B	69372F	-----

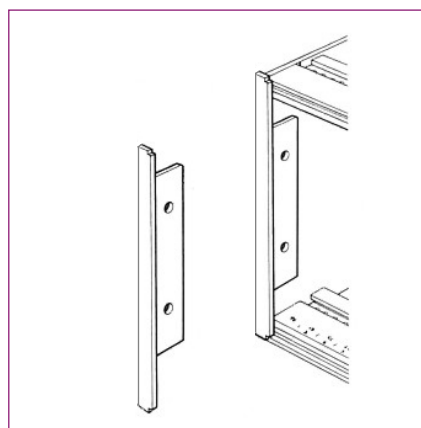


## CLOSING ANGLES, VERSIRAK SERIES

Extruded aluminium alloy, satin anodised to BS 1615-AA10. Fitted with flush mounting M4 bushes for securing to subrack. When fitted as a pair they reduce the opening to 84HP or 42HP for half width subracks. Compatible with Versirak only.

### ORDER CODES

HEIGHT	VERSIRAK	EURORACK
3U	69374B	65025N
4U	69375M	65026X
6U	69376E	65027H
9U	69377C	65028R
12U	69378A	65029G



## ADAPTOR PLATES, INFILL PANEL, VERSIRAK SERIES

Material: 2,5mm aluminium alloy with conductive alocrom 1000 finish.

Adaptor plate fitted with M4 flush mounting bushes for securing to subrack. Allow joining sideplates to provide an extended depth either part or full height. Compatible with Versirak.

Infill panel fits to the Right Hand end of a subrack for converting the gap to accept EMC earth spring contacts.

### ORDER CODES

HEIGHT	ADAPTOR PLATE	HEIGHT	INFILL PANEL
3U	69343E	3U	65107D
4U	69344C	6U	65110E

