

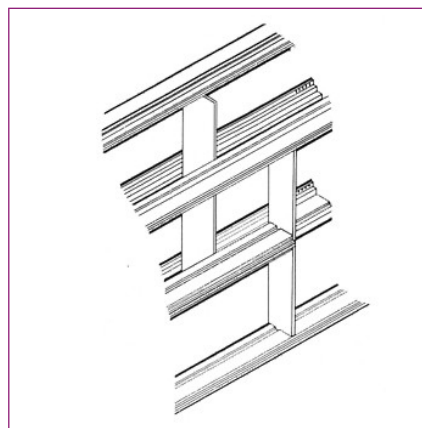
EMC SUBRACK COMPONENTS

DIVIDER PLATES, VERSIRAK SERIES

Material: 2,5mm aluminium alloy with conductive alocrom 1000 finish.
Narrow version can be fitted front or rear, when fitted at the rear it allows centre rail to extend full width. Wide version can only be fitted at the rear position and allows the centre rail to stop at the divider plate allowing variable depth PCBs to be inserted. Compatible with Euro and Versirak series.

ORDER CODES

HEIGHT	FRONT/REAR	REAR
6U	69395D	69396B
9U	69397M	69398E
12U	69399C	69400A

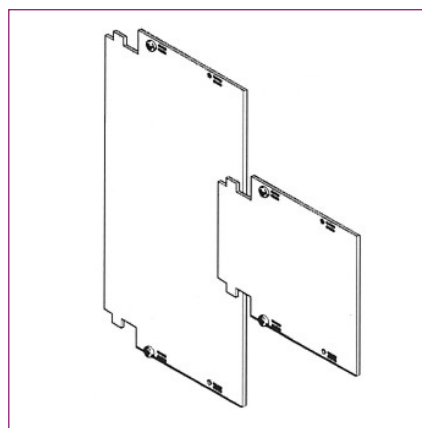


RECESS DIVIDER PLATES, VERSIRAK SERIES

Material: 2,5mm aluminium alloy with conductive alocrom 1000 finish.
These plates can be fitted front or rear where support is required for part width recessed rails and will also divide the subrack vertically if required. Compatible with Euro and Versirak.

ORDER CODES

HEIGHT	
3U	69602G
6U	69603F

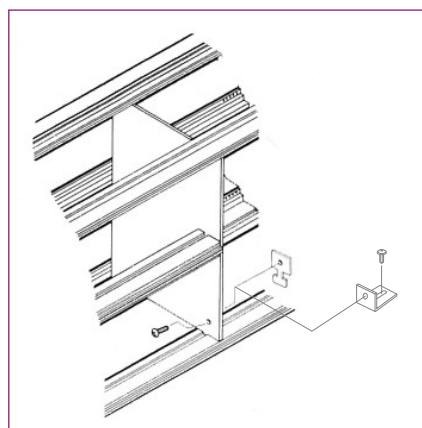


SCREEN DIVIDER PLATES, VERSIRAK SERIES

Material: 2,5mm aluminium alloy with conductive alocrom 1000 finish . Fits between front and rear rails of a TYPE 3 subrack providing a screen partition. Compatible with Versirak series.

ORDER CODES

HEIGHT	DEPTH 220	280	340	TIE PLATE
3U	69565A	69566X	69567H	T PLATE
6U	69568R	69569G	69570F	69672R
9U	69571D	69572B	69573M	L PLATE
12U	69574E	69575C	69576A	65314M



EMC GASKETS, VERSIRAK SERIES

ORDER CODES

GASKET FITTING TOOL	69968H
---------------------	--------

ORDER CODES

GASKET TYPE	HEIGHT	LENGTH	CODE
Adhesive D spring	2,5mm	400mm	87086C
Adhesive D spring	2,5mm	4 Finger	69692X
Rivet D spring	2,5mm	381mm	87214B
Adhesive D spring	5,0mm	400mm	87987A
Adhesive D Spring	5,0mm	3 Finger	69694R
Adhesive D Spring	5,0mm	2 Finger	69693H
Adhesive Flat	2,0mm	49mm	65031D

