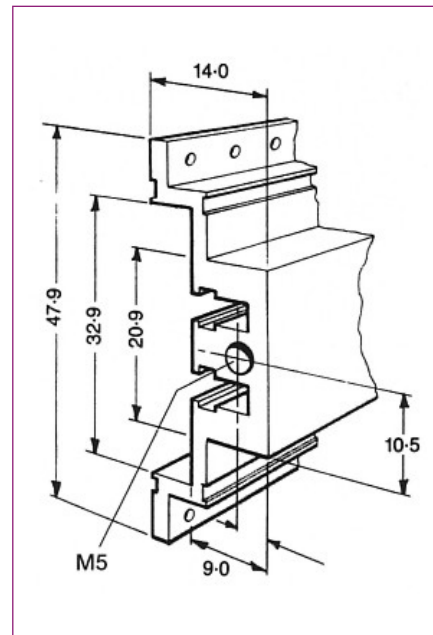


CENTRE RAIL TYPE 1 DIN 41612

ORDER CODES

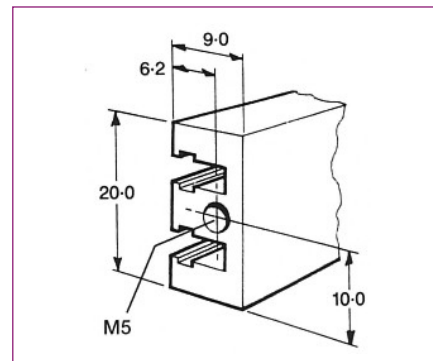
USEABLE LENGTH	LENGTH mm	ANODISED	CONDUCTIVE ALOCHROM 1000
84HP	431,8	67109X	69356A
	2300	66991R ²⁾	



CENTRE RAIL TYPE 2 MOTHERBOARD

ORDER CODES

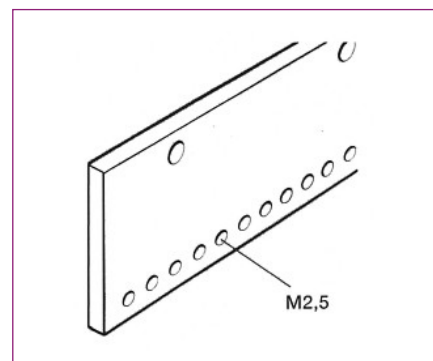
USEABLE LENGTH	LENGTH mm	ANODISED	CONDUCTIVE ALOCHROM 1000
84HP	431,8	68603X	69359R
	2300	55146X ²⁾	



ADD-ON RAIL TYPE 1 DIN 41612

ORDER CODES

USEABLE LENGTH	LENGTH mm	CONDUCTIVE ALOCHROM 1000
84HP	426,72	69933A
63HP	320,04	69210D
56HP	284,48	69119G
42HP	213,36	69936R
28HP	142,24	69117H
21HP	106,68	69118R



TAPPED STRIP

Steel threaded inserts are used in conjunction with front and rear horizontal rails for retaining front panels, the backplane and other add-on accessories requiring to be secured to the subrack.

Available in M3 and M2,5 thread forms, the tapped holes are on a 5,08mm pitch with a datum and overall length to allow alignment with panel fixings.

ORDER CODES

USEABLE LENGTH	LENGTH mm	M2,5	M3,0
84HP	426,72	67115D	793317
63HP	320,04	67636R	793315
56HP	284,48	67635X	----
43HP	218,44	67106B	----
42HP	213,36	67116B	793314
28HP	142,24	67117X	----
21HP	106,68	67118R	----

