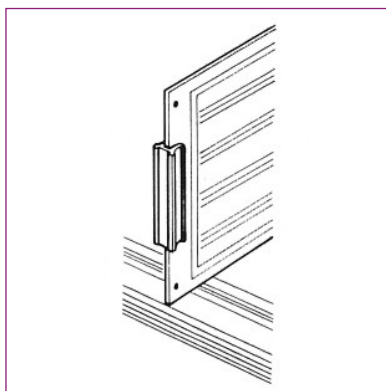


CONNECTOR CODING

Coding strips with 16 pegs that can be removed provide a unique code for each mating pair of strips. Three strip types are available, one that fits the Printed Circuit Board which mates with either a version that mounts of the backplane or a version that mounts directly to the subrack.

ORDER CODES

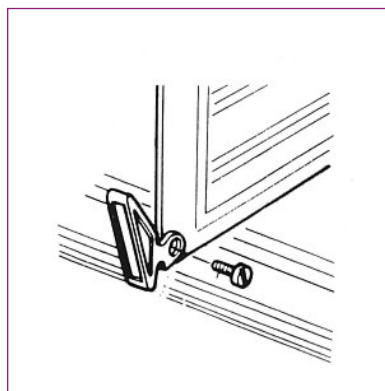
TYPE	PACK OF 10 WITH FIXINGS	PIECE PART
PC BOARD	97610F	87246X
BACKPLANE	97611D	87247H
SUBRACK	97612B	87248X



CONNECTOR HANDLES

Push fit handles for PC Board withdrawal and designation using the integral label. Supplied in Packs of 5 Pieces.

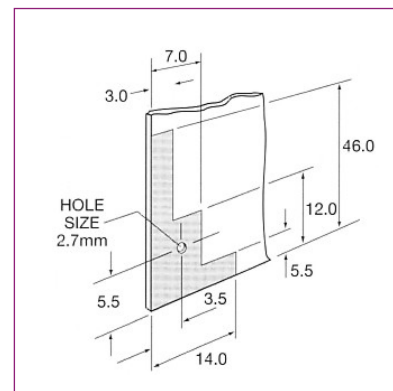
ORDER CODE **96285R**



CARD EJECTOR

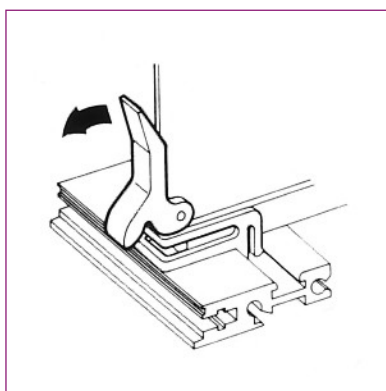
Lever action on front edge or horizontal rail extracts card easily. Complete kit includes fixing screws. Supplied in packs of 10 Pieces with fixing screws.

KIT	PIECE PART
ORDER CODE 96286G	67928G



PCB FIXING DIMENSIONS

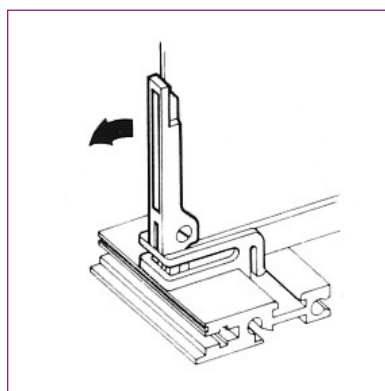
Hatched area is area covered on PCB by 97093G.



CARD EJECTOR

Lever action on front edge or horizontal rail extracts card easily. Complete kit includes fixing screws. Supplied in Packs of 10 Pieces with fixing screws.

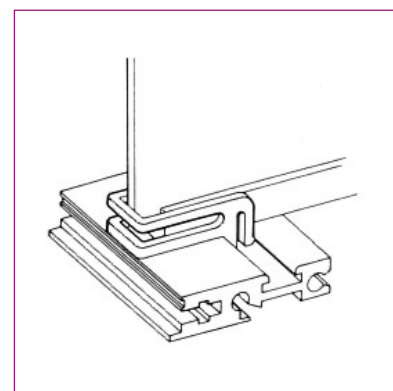
KIT	PIECE PART
ORDER CODE 97092R	69276H



CARD EJECTOR/INJECTOR

Lever action to eject from the face of the guide rail. Injector action operates on inside face of retention clip. Type 97094F. Supplied in packs of 10 Pieces with fixing screws.

KIT	PIECE PART
ORDER CODE 97093G	68893E



PCB RETAINING CLIP

Can be fitted top or bottom to retain PCB. Supplied in packs of 10 pieces with fixing screws.

KIT	PIECE PART
ORDER CODE 97094F	68892X