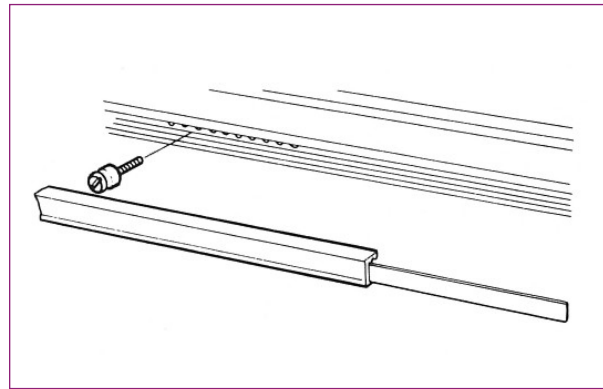


DESIGNATION RETAINER

Clear designation retention strip clips to domed headed screws fitted into the front rail, paper insert can be fitted with customers own coding.

Kit contents: 1 retainer, 1 paper insert, 3 screws.

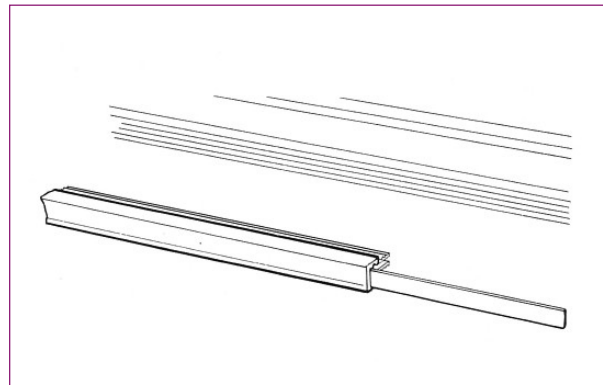
ORDER CODE **96277R**



DESIGNATION RETAINER

Clear plastic strip that clips into the Front Rail extrusion ready to accept own paper label.

ORDER CODE **69366C**

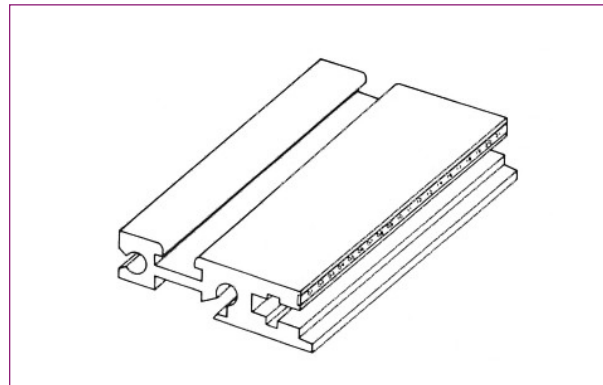


ADHESIVE DESIGNATION STRIPS

Designed to fit within recess in the front rail or recess within the DIN rear rail and DIN centre rail. Numbered 1- 84 front mounting and 84 -1 rear mounting helps provide alignment for connectors, cabling and PC Boards.

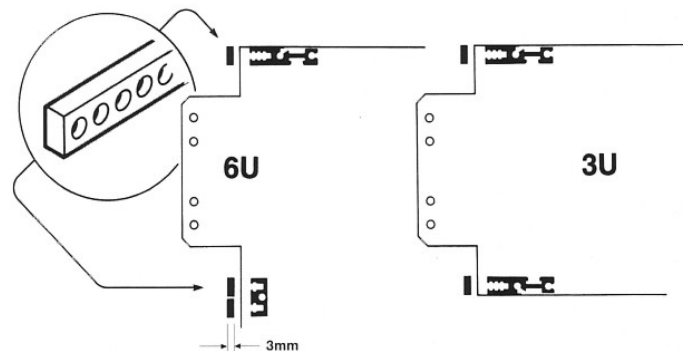
ORDER CODES

TYPE	PACK OF 10	PIECE PART
FRONT	96133H	67652R
REAR	96134F	67651X



MOTHERBOARD MOUNTING

Where mother board subracks are to be mounted with a backplane, a spacer is required to allow the mounting surface for the DIN 41612 connector to remain in the required plane. This spacer also insulates the backplane from the subrack. Threaded Inserts should be ordered separately according to Customer's requirements.



MOTHERBOARD SPACERS

ORDER CODES

USEABLE LENGTH	LENGTH mm	INSULATOR PVC	CONDUCTIVE ALOCHROME 1000
84HP	426,72	68834C	69993F
42HP	213,36	68808G	69994D