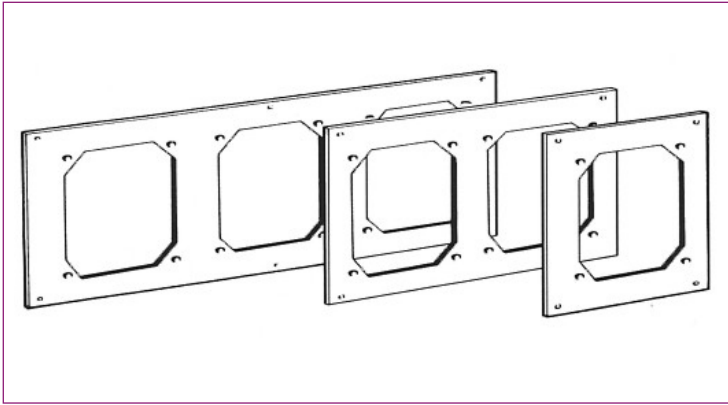


FRONT PANELS, VENTED

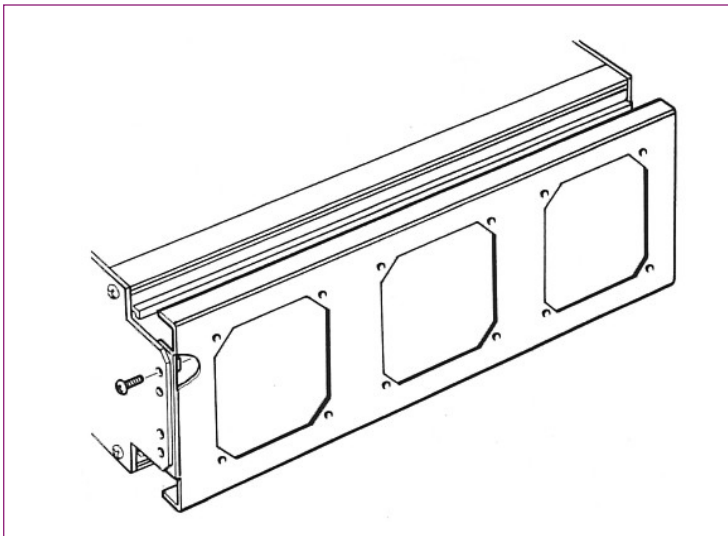


FAN PANEL

Panel pre-punched to accept 90mm square fan; this can be fitted to the front or rear of the subrack extrusions and if required can be fitted internally to the subrack to cool a particular hot spot. A fan aperture blank is available to cover un-used fan positions.

ORDER CODES

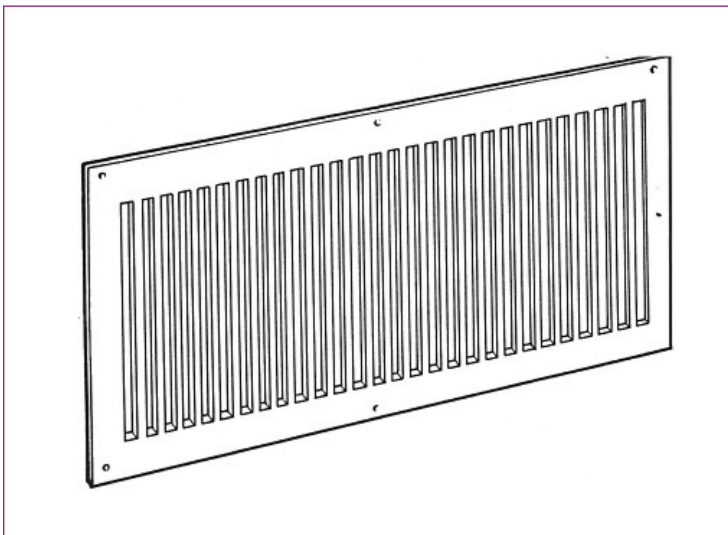
HEIGHT	21HP	42HP	84HP	BLANK
No. FANS	1	2	4	69705R
3U	69699M	69700E	69701C	
6U	69702A	69703X	69704H	



FAN TRAY

Tray pre-punched to accept 120mm square fans. The tray can be mounted vertically front or rear of a minimum 3U subrack alternatively top or bottom horizontally in a subrack of minimum depth 220 if mounted between the extrusions. A blank is available to close off fan position not used.

ORDER CODE 69711E



VENTILATED PANEL

Pre-punched panel with rectangular cut-outs to provide good air flow through the panel. Filters are available which can be fitted internally to prevent the ingress of dust past the panel position. The filters are easily removed for cleaning or replacement.

DIMENSIONS

HEIGHT	84HP PANEL	FILTER
3U	69706G	69708D
6U	69707F	69709B