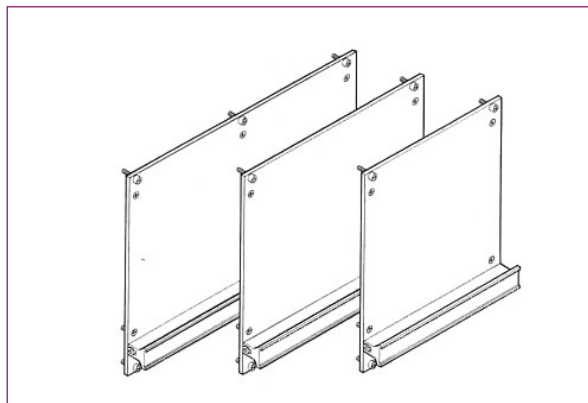
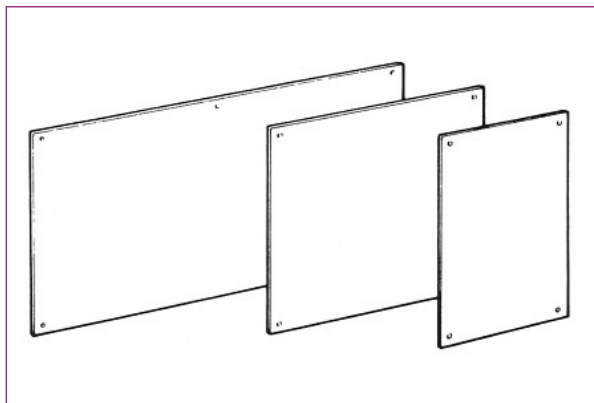


BLANKING PANELS

A range of panels to infill vacant plug-in positions or to cover positions fitted with PC Board without its own panel. Blanking panels are supplied in two types, without handle and with handle to match other plug-in units within the subrack. Fixings for blanking panels without handles are ordered separately, panels with handles are supplied complete with all the required fixings.



ORDER CODES

WIDTH HP	WITHOUT HANDLE		WITH HANDLE	
	3U	6U	3U	6U
1	69683R	69686D		
2	69684G	69687B		
3	68990R	69150C	96980D	97014A
4	68991G	69151A	96981B	97015X
5	68992F	69152X	96982E	97016H
6	68993D	69153H	96983C	97017R
7	68994B	69154R	96984A	97018G
8	68995E	69155G	96985X	97019F
9	68996C	69156F	96986H	97020D
10	68997A	69157D	96987R	97021B
11	68998X	69158B	96988G	97022E
12	68999H	69159E	96989F	97023C
13	69685F	69688M	97646M	97647E
14	69000G	69160A	96990D	97024A
15	69001F	69689E	96991B	97025X
21	67761X	67767R	96992E	97026H
22	69003B	69690C	96993C	97027R
28	67762H	69161X	96994A	97028G
36	69005C	69691A	96995X	97029F
40	69121B	65334H	97648C	97649N
42	67763F	67769E	96996H	97030D
56	67764D	69162H	96997R	97031B
57	65335B	69163R	97650X	97651H
63	67765B	69164G	96998G	97032E
84	67766X	67772D	96999F	97033C