

CONNECTOR MOUNTING OPTIONS

Eurorack is designed for use with DIN41612 type connectors and motherboard/backplane mounting. Two types of subrack are available to accept each type of connector mounting.

TYPE 1 DIN MOUNTING

DIN connectors can be directly mounted on to connector mounting rails which are pieced and tapped M2.5 on a 5.08mm pitch.

TYPE 2 MOTHERBOARD MOUNTING

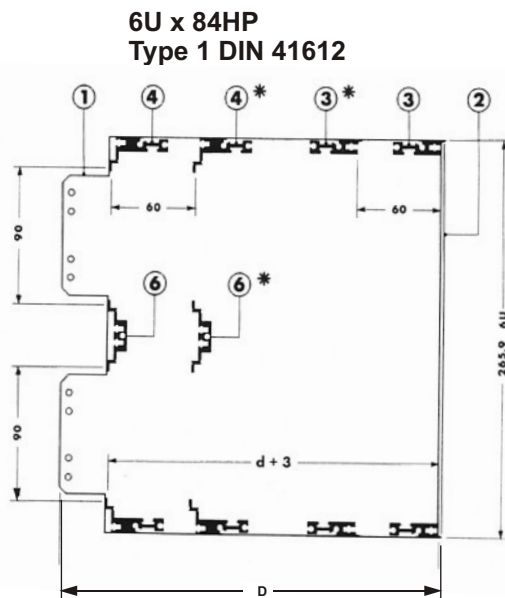
Motherboards can be mounted directly on to the rear rails of a subrack via insulation spacers or conductive spacers where continuity is required between frame and motherboard. The motherboard is secured with M2.5 fixings into a tagged strip within the rail. The rear rail can be converted to accept DIN connectors by fitting an ad-on rail which can be used to convert all or part of the rail.

ACCESSORIES

Eurorack accepts a wide range of accessories which include; PCB panels, blanking panels, hinged panels, modules, card ejectors/injectors, top/bottom/rear subrack covers, guide rails to suit a variety of PCB heights and depths. See the accessory section for full details.

SHOCK AND VIBRATION TESTING

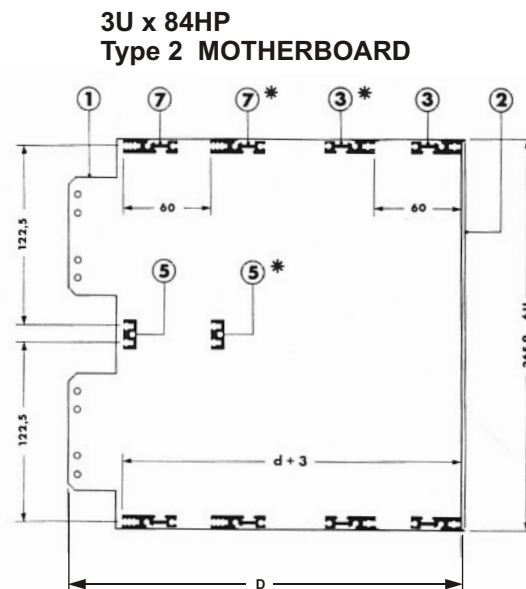
Eurorack has been tested to BS 2011 part 2.1 Fc, which was applied to standard 3U and 6U width subracks. These were loaded with 2 Kg and 12.5 Kg respectively. Frequency range; 10Hz - 500Hz, amplitude; 0.35mm/5 gn. The duration of the test being 2 hours in each of the 3 mutually perpendicular planes. Full test results available on request.



* Indicates alternative positions

Supplied in kit form comprising:

Ref	Description	Qty
1	Sideplate	2
2	T-Front Plate	2
3	Front Horizontal Rail	2
4	Connector Mounting Rail	2
6	Centre Connector Mounting Rail	1
	Screws M5 x 12mm, Pan Hd	10



* Indicates alternative positions

Supplied in kit form comprising:

Ref	Description	Qty
1	Sideplate	2
2	T-Front Plate	2
3	Front Horizontal Rail	2
5	Centre Rail	1
7	Rear Horizontal Rail	2
	Screws M5 x 12mm, Pan Hd	10

ORDER CODES 3U and 6U SUBRACKS

HEIGHT	SUBRACK TYPE	PCB DEPTH =			
		160	220	160	220
		D = 210	270	210	270
		d = 172,3	232,3	172,3	232,3
3U	TYPE 1 DIN	96004D	96005B	96148E	96149C
	TYPE 2 MB	96006X	96007R	96270A	96271X
6U	TYPE 1 DIN	96008G	96009E	96144B	96146R
	TYPE 2 MB	96010H	96011F	96272H	96273F