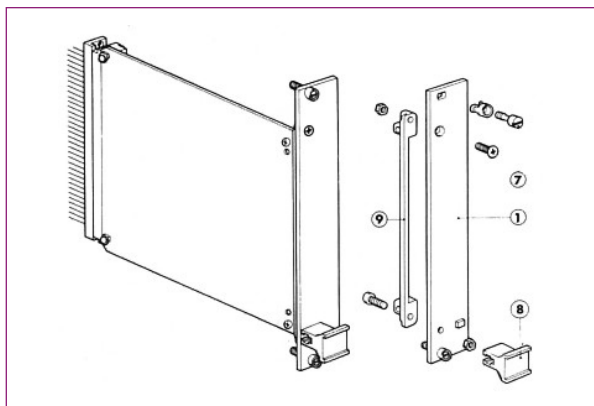


PANEL KITS, HINGED PANELS



PANEL KITS

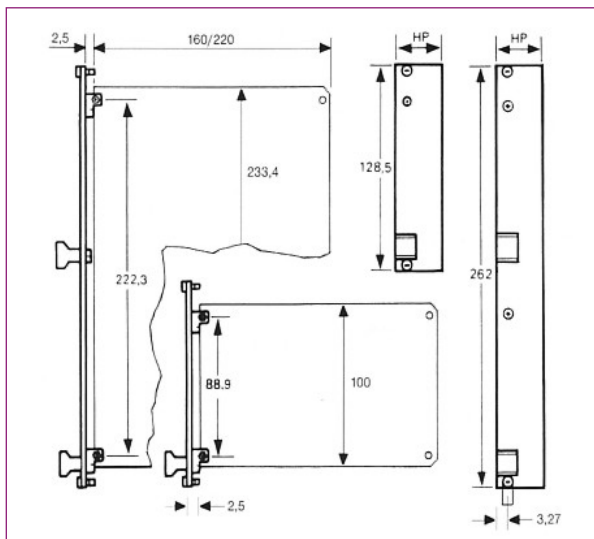
Front panel kits for fixing PC Board to the inside face. The panel can be secured to the subrack extrusions using captive screws or quick release fasteners.

Supplied in kit form, comprising:

Ref	Description	Qty
1	Front Panel	1
8	Handle	1 (6U x 2)
7	Retaining Screws	2
9	Board Fixing Block Fixings	1 (6U x 2)

ORDER CODES

WIDTH HP	PANEL HEIGHT	
	3U	6U
3	97034X	97044H
4	97035H	97045R
5	97036R	97046G
6	97037G	97047F
7	47038F	97048D
8	97039D	97049B
9	97040B	97050B
10	97041E	97051C
11	97042C	97052A
12	97043A	97053X
13	97243A	97245H
14	97244X	97246R



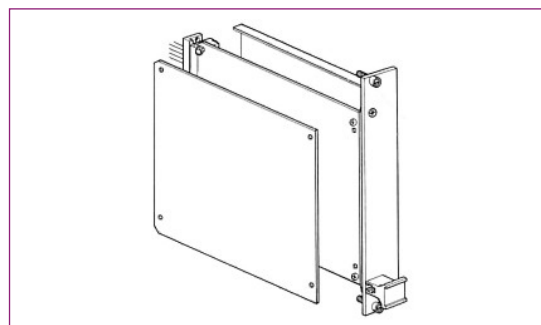
PANEL KIT SCREEN PLATES

Add-on kit to provide a level of screening of the PC Board fitted to the standard panel kit.

Supplied as a kit with plate for solder side and component side with fixings to provide the component plate to be positioned at minimum 4HP and a maximum of 8HP.

ORDER CODES

HEIGHT	160	220
3U	97579D	97580B
6U	97581M	97582E

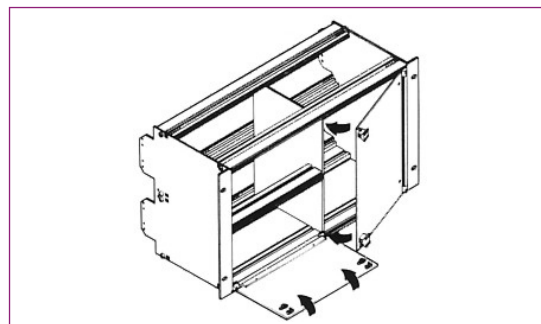


HINGED PANELS

Hinged panels provide quick and easy access to the subrack. Vertical or horizontal hinge mounting is available with die cast hinge blocks locating into the extruded hinge rail provided sufficient strength to support connectors and cabling. Available in anodised aluminium and smoked perspex front panel which allows visibility of illuminated LEDs and displays with the panel closed.

ORDER CODES

	ANODISED ALUMINIUM		SMOKED PERSPEX	
	3U	6U	3U	6U
HORIZONTAL				
42HP	96190A	96196X	97613M	97617X
84HP	96193F	96199E	97614E	97618H
VERTICAL				
42HP	96202C	96208B	97615C	97619R
84HP	96205H	96205H	97616N	97620G



Supplied in kit form, comprising:

Ref	Description	Qty
1	Panel	1
2	Hinge Block	2
3	Hinge Rail	1
4	Handle Fixings	2