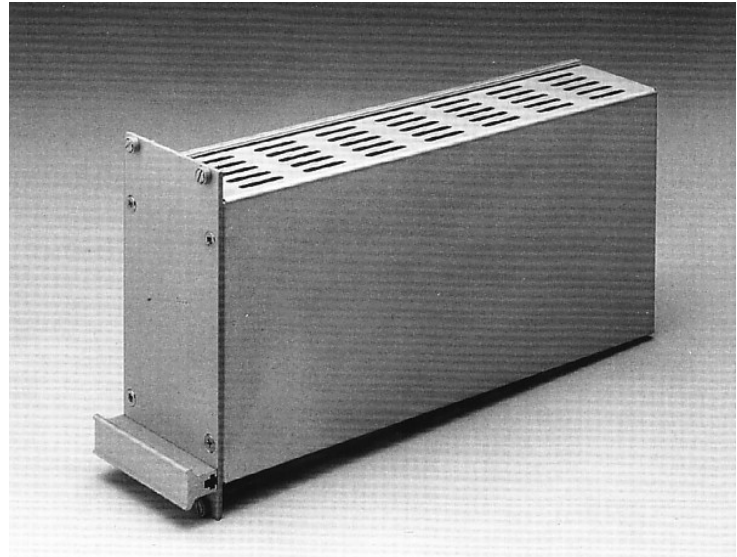


MODULES, 2 RAIL

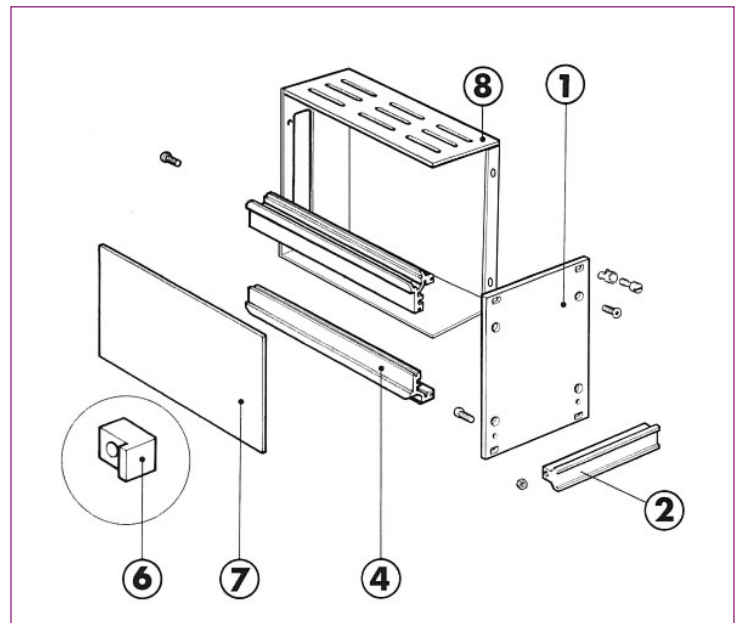
The 2 rail module is suitable for use with all subracks and accepts a standard Eurocard within the 2 side extrusions.

The side covers provide a complete screen around the PC Board and has a cut-out in the rear surface for a Din 41612 connector.



Supplied in kit form, comprising:

Ref	Description	Qty
1	Front Panel	1
2	Handle	1
4	Module Rail	2
6	PCB Spacer Block	2
7	Side Cover	1
8	Side and Rear Cover Fixings	1



ORDER CODES

HEIGHT	PANEL DEPTH	VENTED		PLAIN	
		160	220	160	220
3U	7	97132X	97142A	97107E	97115D
3U	8	97408A	97409X	97404B	97405M
3U	9	97133H	97143X	97128M	97129E
3U	10	97134R	97144H	97108C	97116B
3U	12	97153E	97152M	97237F	97238D
3U	14	97135G	97145R	97109A	97117M
3U	21	97136F	97146G	97110X	97118E
6U	7	97137D	97147R	97111H	97119C
6U	8	97410H	97411R	97406E	97407C
6U	9	97138B	97148G	97130C	97131A
6U	10	97139M	97149F	97112R	97120A
6U	12	97154C	97155A	97239B	97240M
6U	14	97140E	97150D	97113G	97121X
6U	21	97141C	97151B	97114F	97122H