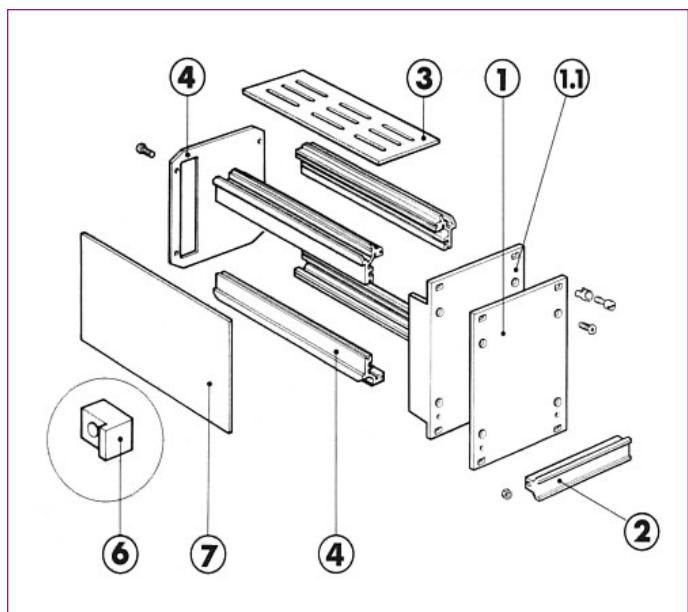


MODULES, 4 RAIL EMC FRONT PANEL



This module system is a non EMC rear construction but supplied with an EMC Front Panel that enables the unit to gain earth contact with adjoining panels of similar construction which allow the complete aperture of the subrack to provide an EMC shield. The EMC panel is a two skin construction, the outer skin Satin Anodised, the inner conductive Alocrom 1000.

Accessories include top and bottom covers, vented or plain slide in covers and PCB retention fixings for holding the circuit board within the unit.



Supplied in kit form comprising:

Ref	Description	Qty
1	Front Panel outer	1
1.1	Front Panel inner	1
2	Side cover	2
4	Rear Panel	1
6	Spacer block	2
7	Module Rail	4
8	Handle	1
	EMC gasket & fixings	

MODULE ORDER CODES

PANEL HEIGHT	PANEL WIDTH	MODULE DEPTH (Nominal)	
		160	220
3U	12HP	97644D	97645B
3U	14HP	97387X	97391F
3U	21HP	97388H	97392D
3U	28HP	97389R	97393B
3U	42HP	97390G	97394M

ORDER CODES

Top and bottom covers (3) are not included in the kit. Please order separately.

HP WIDTH	VENTED		PLAIN		PCB RETENTION
	160 DEEP	220 DEEP	160 DEEP	220 DEEP	
12	96073X	96077C	97082R	97086B	FRONT / REAR 97160F
14	97233X	97234H	97235R	97236G	
21	96074R	96078A	97083G	97087E	
28	96075G	96079X	97084F	97088C	CENTRE 97161D
42	96076E	96080B	97085D	97089A	