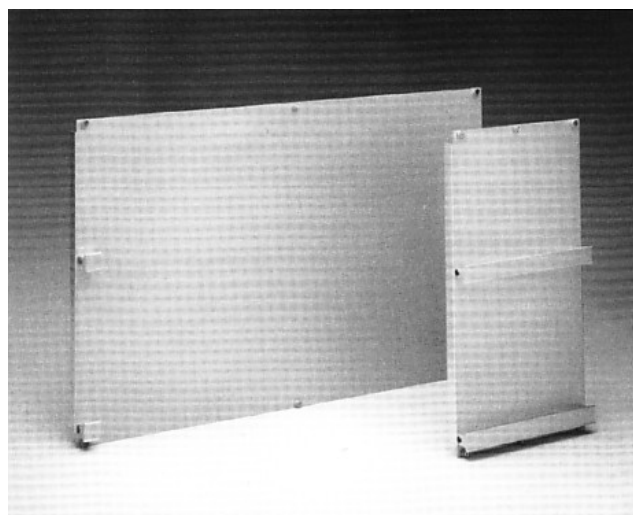
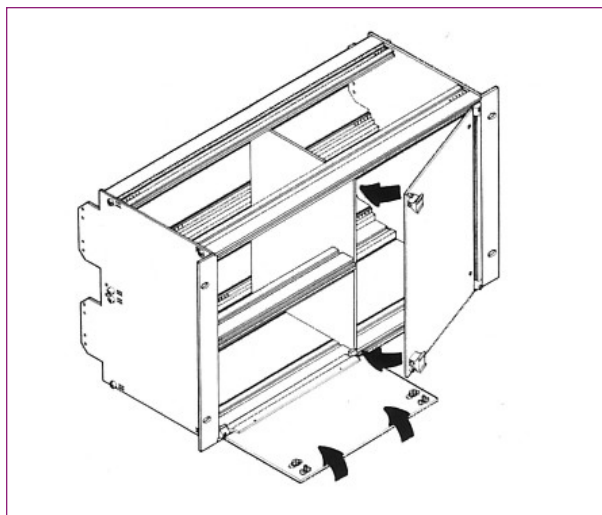


EMC FRONT PANELS, HINGED



EMC HINGED FRONT PANELS

EMC Hinged front panels provide a cost effective solution to screening the complete front or rear of the subrack whilst allowing easy access through the use of fewer fixings retaining the panel to the subrack. The panel is constructed from an outer and inner panel, the outer being either aluminium with an anodised finish or smoked perspex, the inner being aluminium with a conductive Alocrom finish.

The perspex panel has a perforated inner panel which allows illuminated LEDs and displays to be visible from the outside while maintaining an effective screen.

Supplied in kit form, comprising:

Ref	Description	Qty
1	Panel outer	1
2	Panel inner	1
3	Hinge Block	2
4	Hinge Rail	1
5	Handle	2
	Gasket and Fixings	

ORDER CODES

ALUMINIUM PANEL	PANEL HEIGHT	
	3U	6U
HORIZONTAL HINGE		
42HP	97285E	97283B
84HP	97284M	97282D
VERTICAL HINGE		
42HP	97289H	97287A
84HP	97288X	97286C
PERSPEX PANEL		
HORIZONTAL HINGE		
42HP	97621F	97625E
84HP	97622D	97626C
VERTICAL HINGE		
42HP	97623B	97627N
84HP	97624M	97628X

EMC BLANK PANELS

A range of EMC panels to infill vacant plug-in positions or to cover recessed cards, provide a continuation to the screening when positioned with other screened panels. The panels are constructed from a 1,2mm aluminium outer panel which is satin anodised and a 1,2mm inner panel which has a conductive alocrom finish. Beryllium copper gaskets are supplied, once fitted to the return of the inner panel they provide an earth contact with an adjacent panel of the same construction.

Supplied in kit form, comprising:

Ref	Description	Qty
1	Panel outer	1
2	Panel inner	1
3	Handle	1
4	Gasket Fixings	1

ORDER CODES

WIDTH HP	SUBRACK HEIGHT	
	3U	6U
4	97339M	97358F
5	97340F	97359D
6	97341C	97360B
7	97342A	97361M
8	97343X	97362E
9	97344H	97363E
10	97345R	97364A
11	97346G	97365X
12	97347F	97366H
13	97348D	97367R
14	97349B	97368G
21	97350M	97369F
28	97352C	97371B
42	97354X	97373E
56	97355H	97374C
63	97356R	97375A
84	97357G	97376X