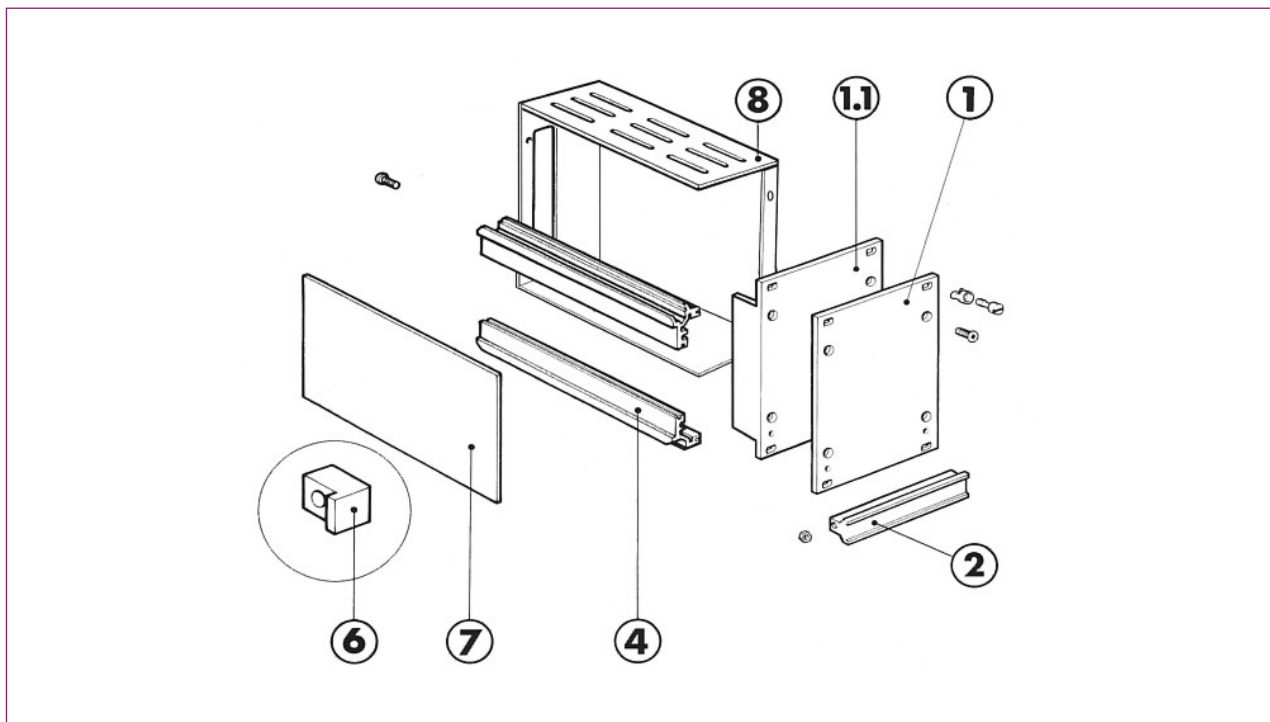
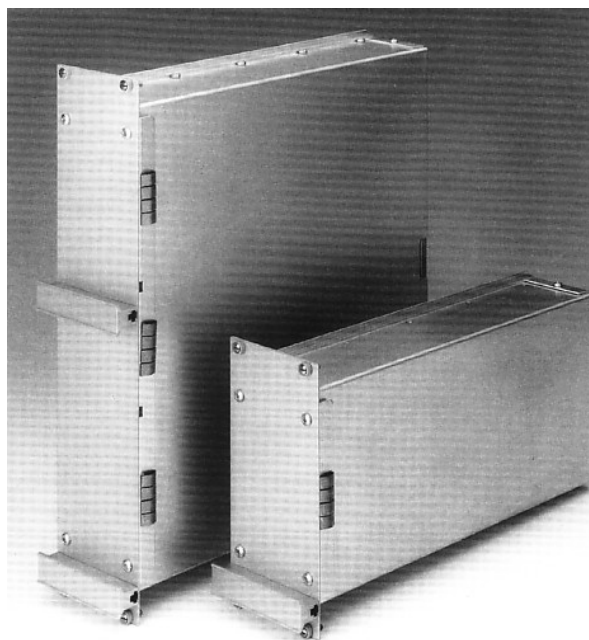


# EMC 2 RAIL MODULE

Suitable for screening light weight PC Boards, the EMC 2 Rail Module is constructed from rail extrusions when assembled to the front panel will accept a standard Eurocard within an extruded slot. Side covers form a complete EMC screen around the PC Board also protecting components mechanically, thermally and from electrostatic discharge. The front panel provides a continuous RFI screen across the subrack height and width.depth.

Supplied in kit form comprising:

Ref	Description	Qty
1	Front Panel outer	1
1.1	Front Panel inner	1
2	Handle	1
4	Module Rail	2
6	PCB Spacer block	2
7	Side cover LH	1
8	Side cover RH Gasket and fixings.	1



## ORDER CODES

HEIGHT	PANEL WIDTH HP	PLAIN		VENTED	
		160	220	160	220
3U	7	97495C	97498H	97507N	97519R
	9	97496N	97499R	97508X	97511G
	12	97497X	97500G	97509H	97512F
6U	7	97501F	97504M	97513D	97516E
	9	97502D	97505E	97514B	97517C
	12	97503B	97506C	97515M	97518N