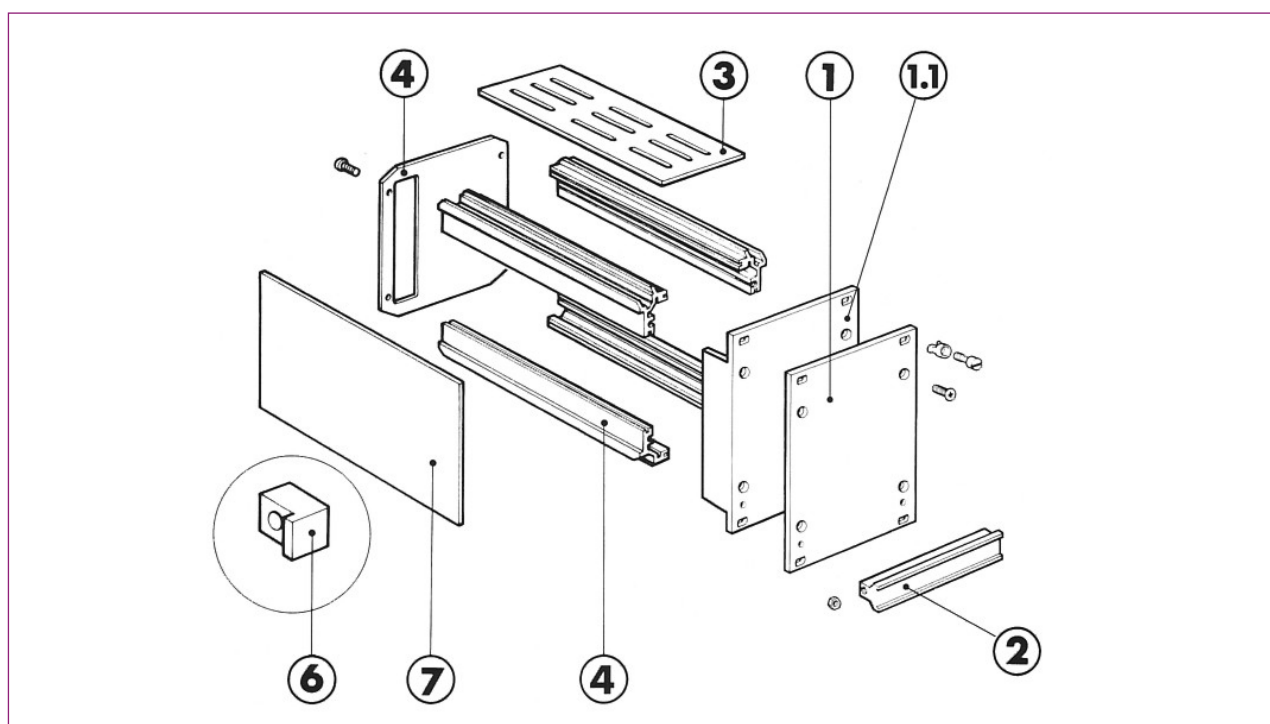


# EMC 4 RAIL MODULE

Plug-in unit designed to support and house heavier components. The 4 Rail EMC Module is constructed from rail extrusions that when assembled to the front panel will accept a standard Eurocard within an extruded slot within each pair of rails. Side, top and bottom covers bolt to the rails forming a complete EMC screen around the PC Board also protecting components mechanically, thermally and against electrostatic discharge. The front panel provides a continuous RFI screen across the subrack height and width. Top and bottom covers are ordered separately to enable plain or vented types.



Supplied in kit form comprising:

Ref	Description	Qty
1	Front Panel outer	1
1.1	Front Panel inner	1
2	Handle	1
4	Module Rail	2
6	PCB Spacer block	2
7	Side cover LH	1
8	Side cover RH	1
	Gasket and fixings.	

## ORDER CODES

HEIGHT	PANEL WIDTH HP	MODULE DEPTH (Nominal)	
		160	220
3U	9	97537M	97583C
	12	97585X	97586H
	14	97463A	97469D
	21	97464X	97470B
	42	97465H	97471M
6U	9	97536B	97584N
	12	97587R	97588G
	14	97466R	97472E
	21	97467G	97473C
	42	97468F	97474N