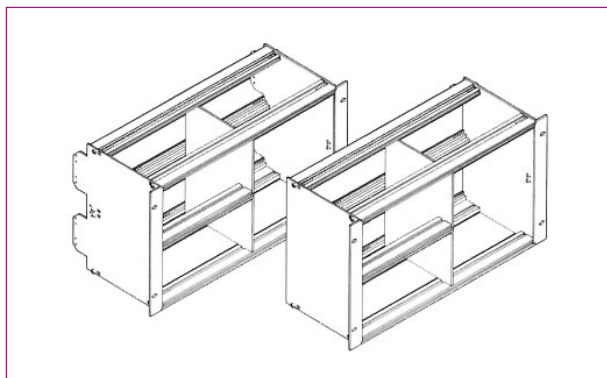


# SUBRACK DIVIDER KITS



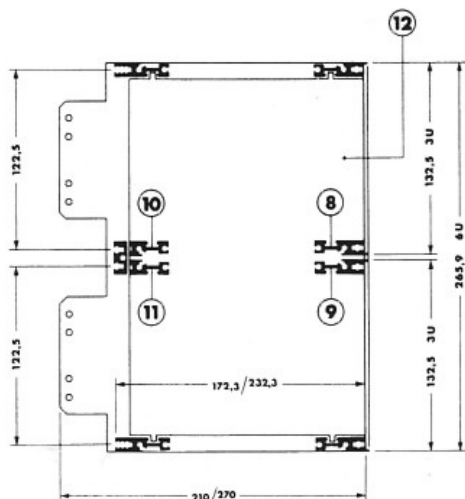
## APPLICATION

Divider kits are designed to be added to a standard 6U or 9U subrack which then converts to accept 3U and 6U PCBs within a 6U or 9U Subrack. Further separate divider accessories are available which allow 3U, 6U and 9U PCBs within a 9U subrack. A divider plate allows the subrack to be divided horizontally which then accepts part width horizontal rails divide that portion into 2 x 3U. Where heavy loads are being installed, the divider plate can be locked to rails top and bottom using retention keys which screw to the plate and slide into the rail extrusion, preventing rail deflection. The keys are easily fitted before or after assembly. The subrack is divided without loss of useable front panel area and can be arranged with the 6U section to the LH or RH side. When selecting the required handing, please check component height on PCB adjacent to divider to ensure required clearance is maintained.

## CONSTRUCTION

Divider plate made from 2,5mm aluminium alloy which is satin anodised to BS1615 AA10. Horizontal rails are extruded aluminium alloy, punched on a 5,08mm pitch for guide rail location and threaded at each end after anodising. Rails are fixed each end with a single M5 fixing, countersunk at the divider plate and pan head on the sideplate. To ensure continuity the pan head screws are earth nib type which breaks the anodic coating and the countersunk screws fit into countersinks machined after anodising to give an exposed surface.

### 2 x 3U DIVIDER, 160/220 DEEP Type 2 MOTHERBOARD



Supplied in kit form comprising:

Ref	Description	Qty
8	Front Rail Top	1
9	Front Rail Bottom	1
10	Rear Rail Top	1
11	Rear Rail Bottom	1
12	Divider Plate 160 / 220	1
	Screws M5 x 12mm, Csk Hd	4
	Screws M5 x 12mm, Pan Hd	4

Note: Item 12 not included within 2 x 3U, 84HP version.

## ORDER CODES DIVIDER KITS

	3U	21HP	28HP	42HP	56HP	63HP	84HP
	6U	63HP	56HP	42HP	28HP	21HP	2 X 3U
DEPTH							
160	96016G	96015R	96014X	96013B	96012D	96017E	
220	96022X	96021B	96020D	96019A	96018C		

### 42HP 3U/3U, 42HP 6U

