

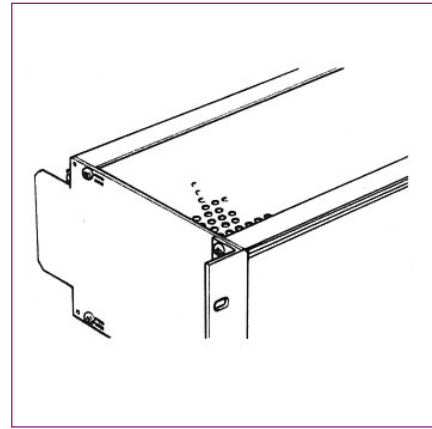
SUBRACK COMPONENTS

TOP/BOTTOM SUBRACK COVERS, EURORACK SERIES

Material : 1,2mm aluminium alloy, satin anodised to BS1615-AA10. Covers slide into rail recess before fitting sideplate. Compatible with Euro and Versirak.

ORDER CODES

DEPTH	WIDTH 84HP	
	VENTED	PLAIN
160	67759R	67755F
220	67757B	67753X
280	69667E	69669A
340	69668C	69670X

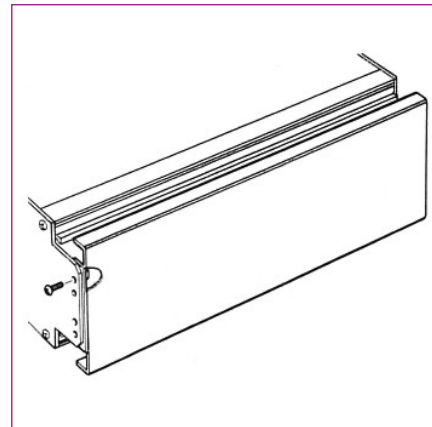


REAR COVER, EURORACK SERIES

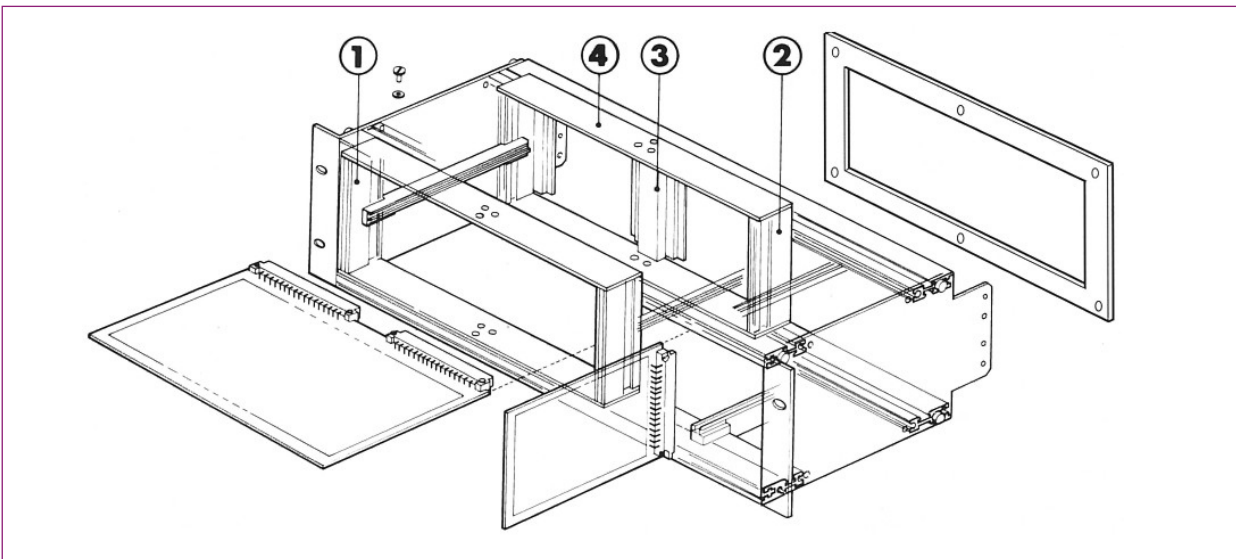
Material: 1,2mm aluminium alloy, satin anodised to BS1615-AA10. Protects rear mounted connectors, compatible with Euro and Versirak.

ORDER CODES

3U	67929E
6U	69671H



HORIZONTAL CARD MOUNTING



HORIZONTAL CARD MOUNTING KIT

Allows 6U Eurocards to be fitted within a 3U and 4U subrack. Available in TYPE 1 DIN mounting and TYPE 2 MOTHERBOARD mounting. Compatible with Euro and Versirak.

Supplied in kit form comprising:

ORDER CODES

HEIGHT	TYPE 1	TYPE 2	PANEL 53HP	TAPPED STRIP
3U	96275B	97091H	69147F	69132C
6U	97642G	97643F	65332G	65333F

Ref	Description	Qty
1	Front Vertical Rail	2
2	Rear Vertical Rail	2
3	Centre Vertical Rail	1
4	Bracket Screws	4